

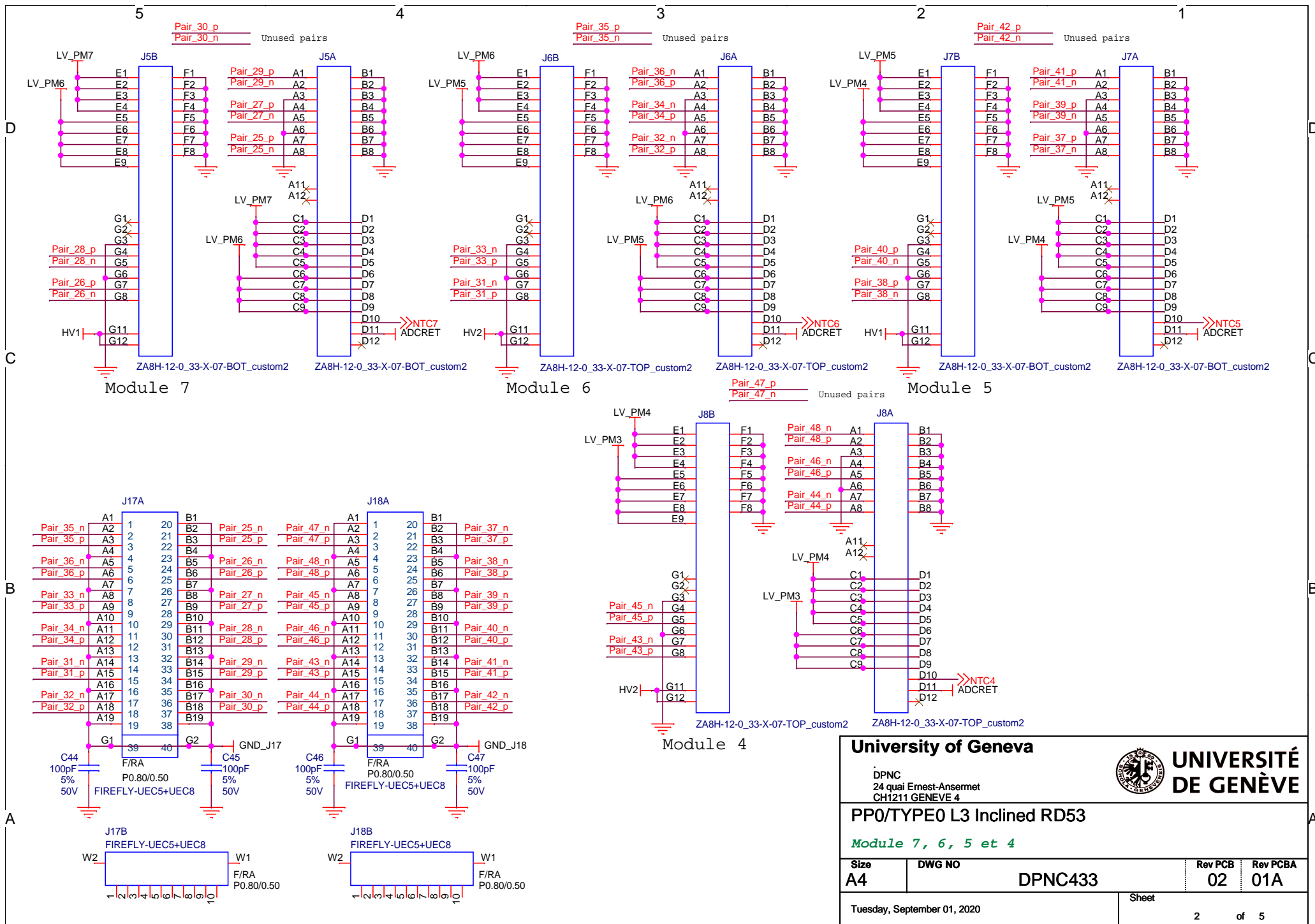
**University of Geneva**

DPNC  
24 quai Ernest-Ansermet  
CH1211 GENEVE 4

**UNIVERSITÉ DE GENÈVE**

PP0/TYPE0 L3 Inclined RD53  
Module 11, 10, 9 et 8

Size A4	DWG NO DPNC433	Rev PCB 02	Rev PCBA 01A
Tuesday, September 01, 2020		Sheet 1 of 5	



**University of Geneva**

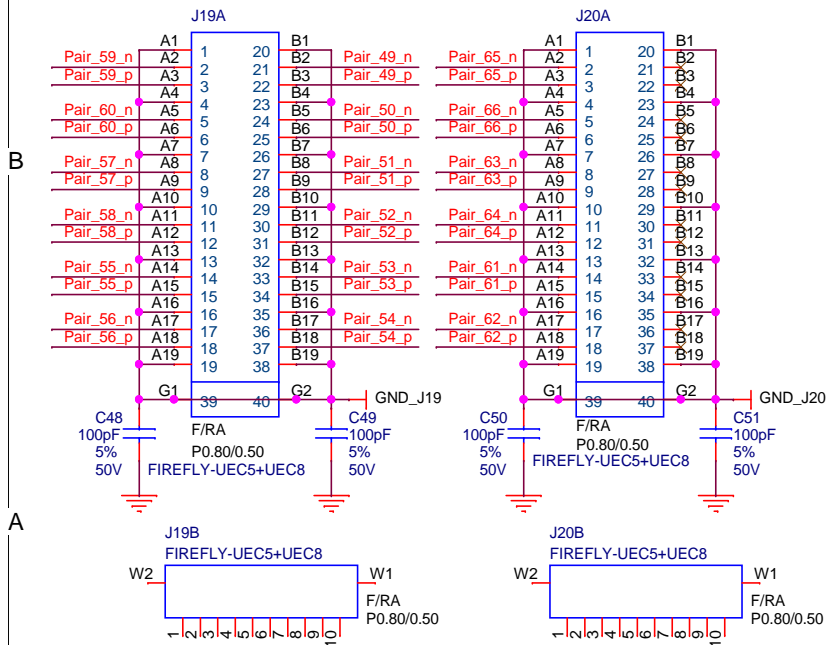
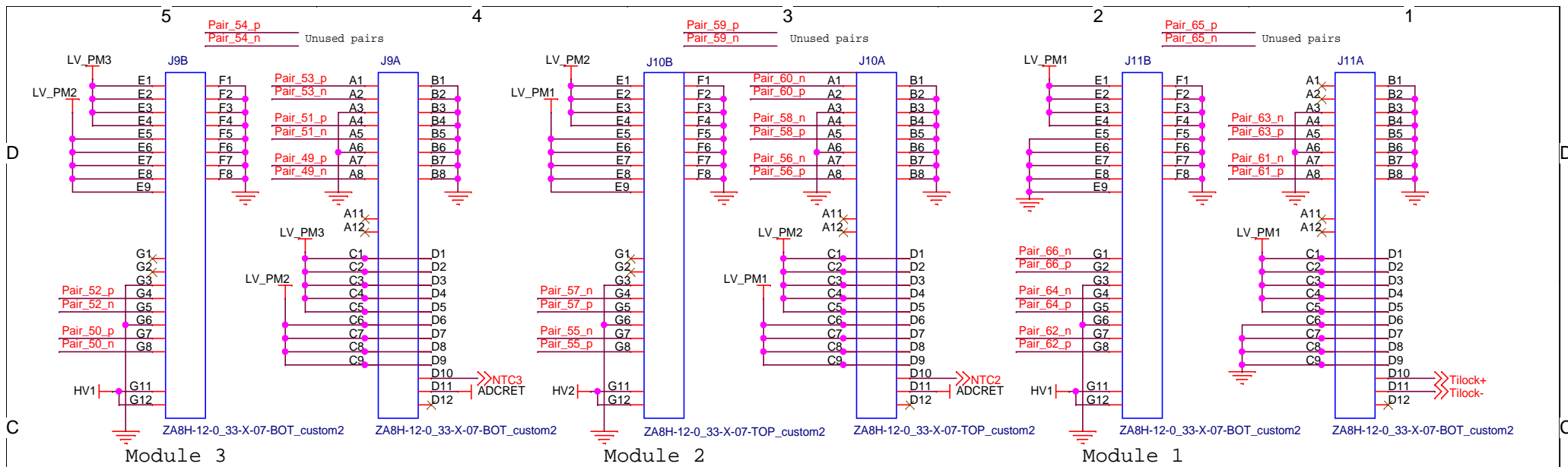
UNIVERSITÉ DE GENÈVE


DPNC  
 24 quai Ernest-Ansermet  
 CH1211 GENEVE 4

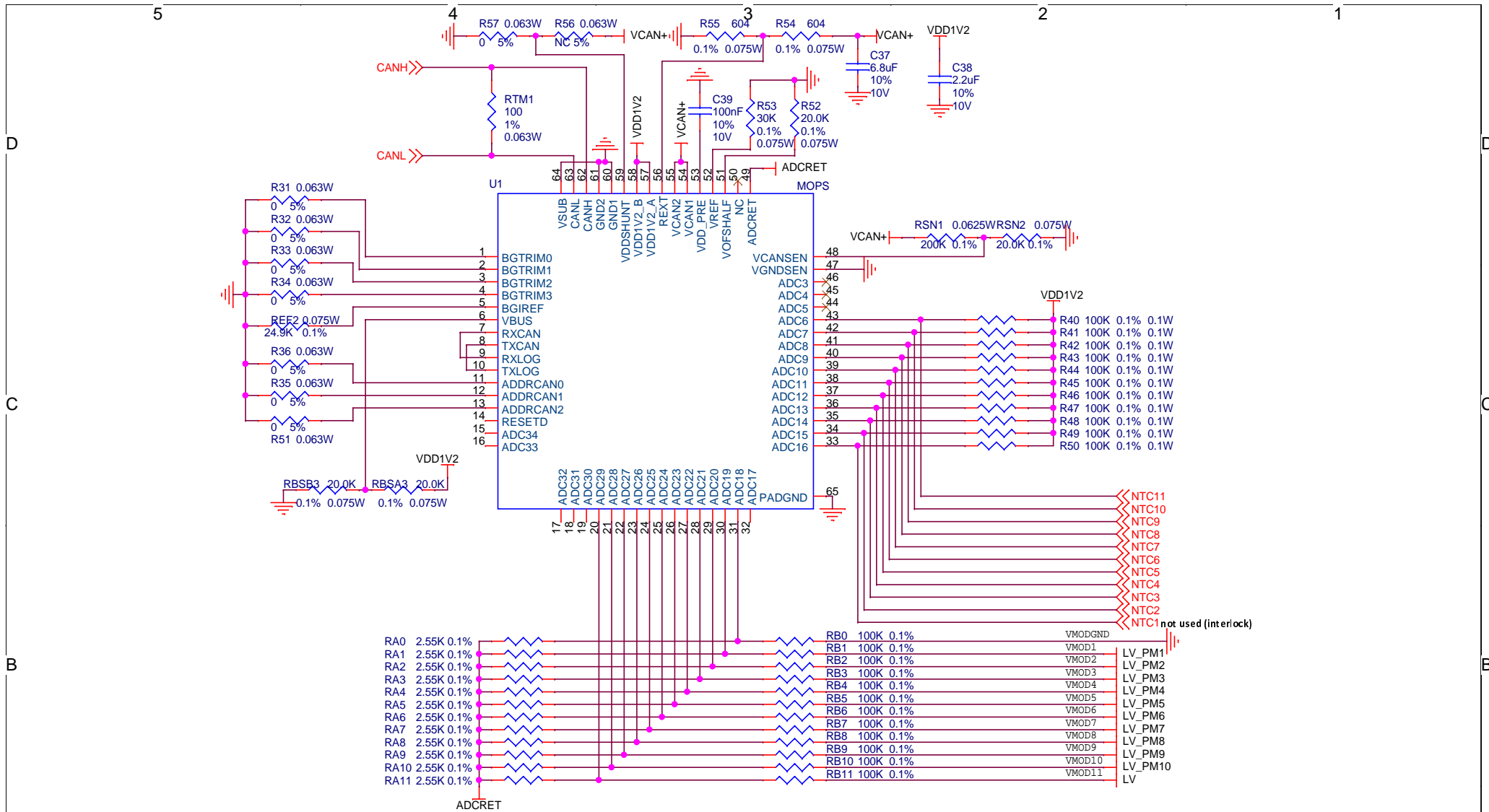
**PP0/TYPE0 L3 Inclined RD53**

Module 7, 6, 5 et 4

Size <b>A4</b>	DWG NO <b>DPNC433</b>	Rev PCB <b>02</b>	Rev PCBA <b>01A</b>
Tuesday, September 01, 2020		Sheet	2 of 5



<b>University of Geneva</b> DPNC 24 quai Ernest-Ansermet CH1211 GENEVE 4		 <b>UNIVERSITÉ DE GENÈVE</b>	
<b>PP0/TYPE0 L3 Inclined RD53</b> <i>Module 3, 2 et 1</i>			
<b>Size</b> A4	<b>DWG NO</b> DPNC433	<b>Rev PCB</b> 02	<b>Rev PCBA</b> 01A
Tuesday, September 01, 2020		Sheet	3 of 5



University of Geneva

DPNC  
24 quai Ernest-Ansermet  
CH1211 GENEVE 4

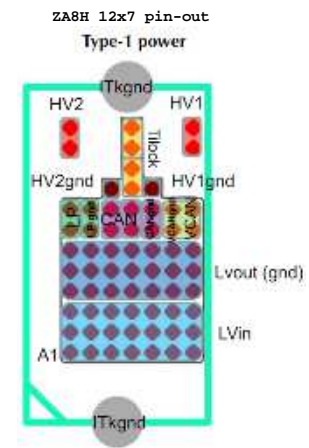
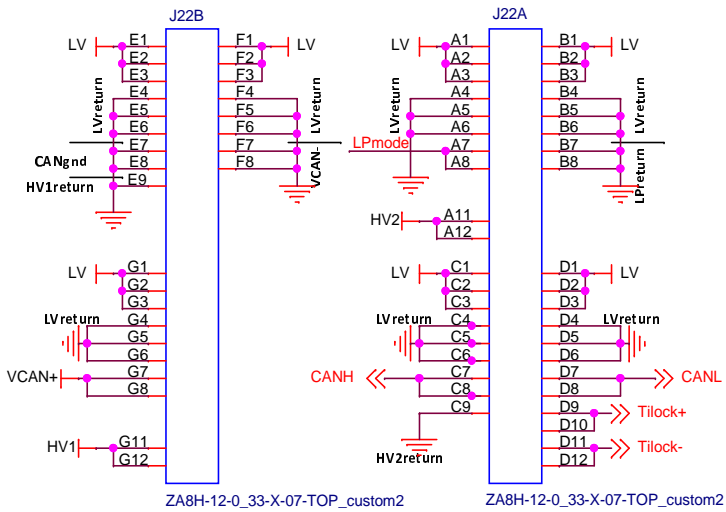


UNIVERSITÉ  
DE GENÈVE

PP0/TYPE0 L3 Inclined RD53

MOPS

Size	DWG NO	Rev PCB	Rev PCBA
A4	DPNC433	02	01A
Tuesday, September 01, 2020		Sheet	4 of 5



University of Geneva

DPNC  
 24 quai Ernest-Ansermet  
 CH1211 GENEVE 4



UNIVERSITÉ  
 DE GENÈVE

PP0/TYPE0 L3 Inclined RD53

Power Connector type1

Size	DWG NO	Rev PCB	Rev PCBA
A4	DPNC433	02	01A
Tuesday, September 01, 2020		Sheet	5 of 5