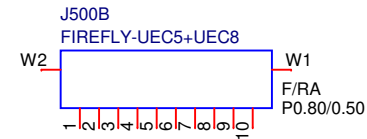
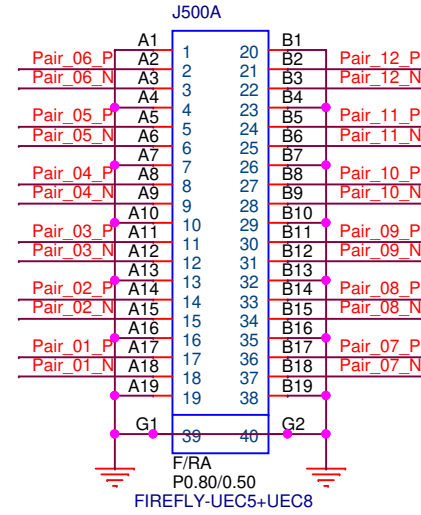
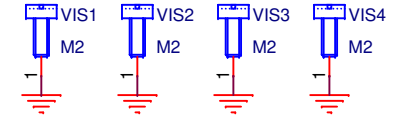
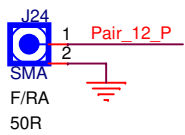
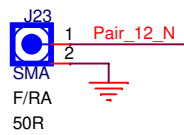
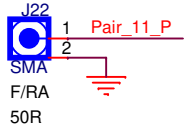
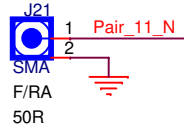
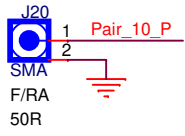
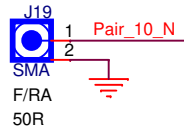
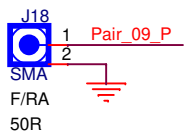
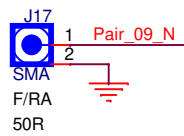
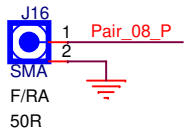
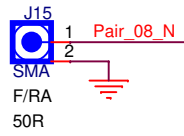
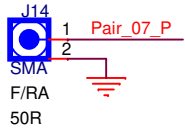
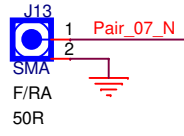
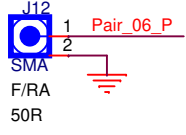
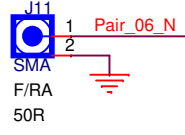
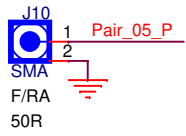
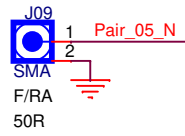
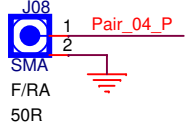
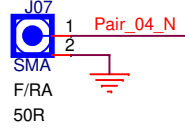
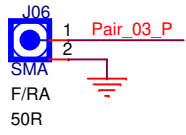
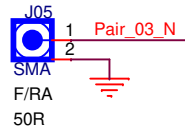
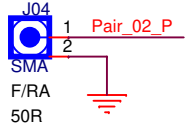
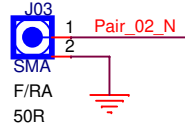
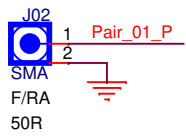
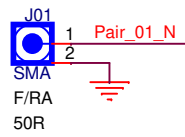


Board 1: FireFly Connection: Opposite End of Cable



University of Geneva

DPNC
24 quai Ernest-Ansermet
CH1211 GENEVE 4



UNIVERSITÉ
DE GENÈVE

ATLAS ITk PP0 Adapter Board

SMA to FireFly

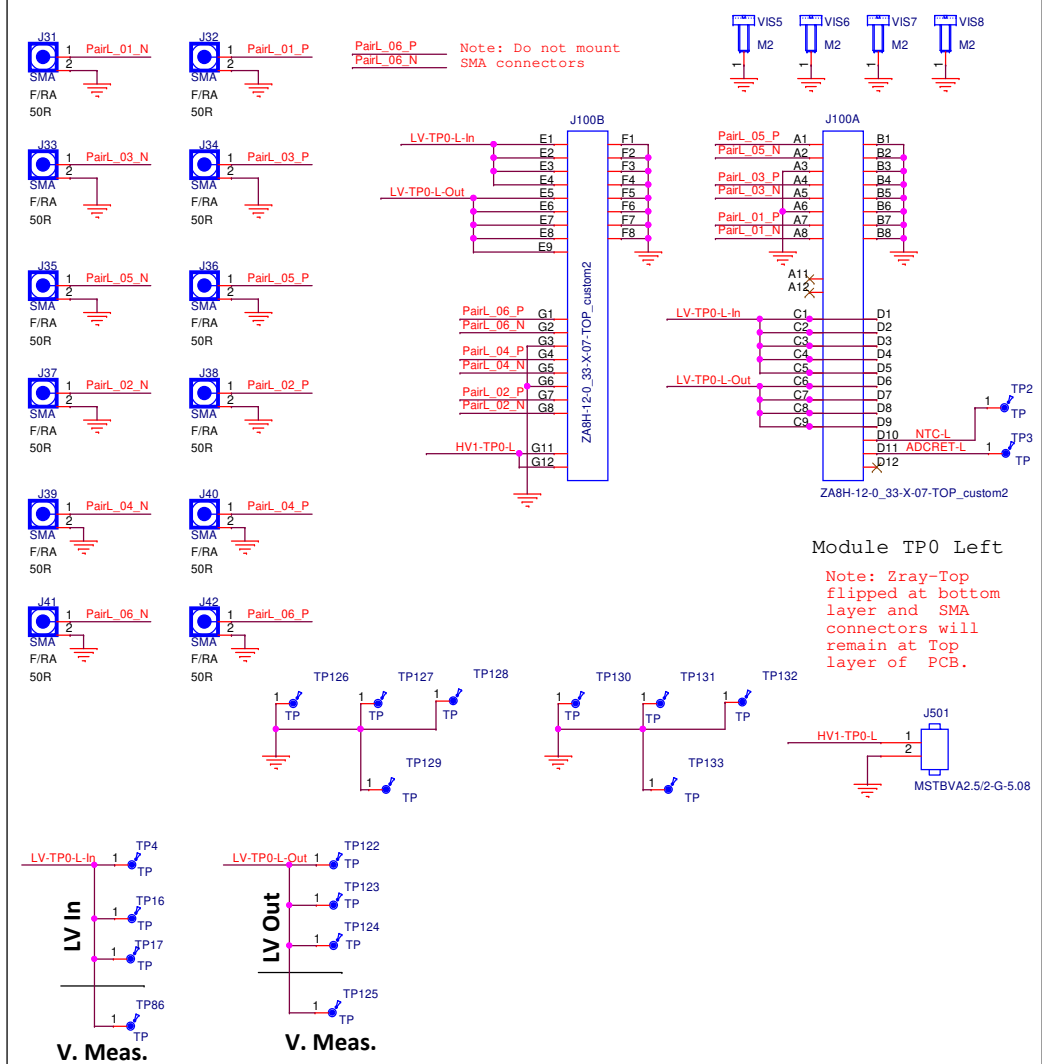
Size A4	DWG NO DPNC442	Rev PCB 01	Rev PCBA 01A
------------	-------------------	---------------	-----------------

Wednesday, September 16, 2020

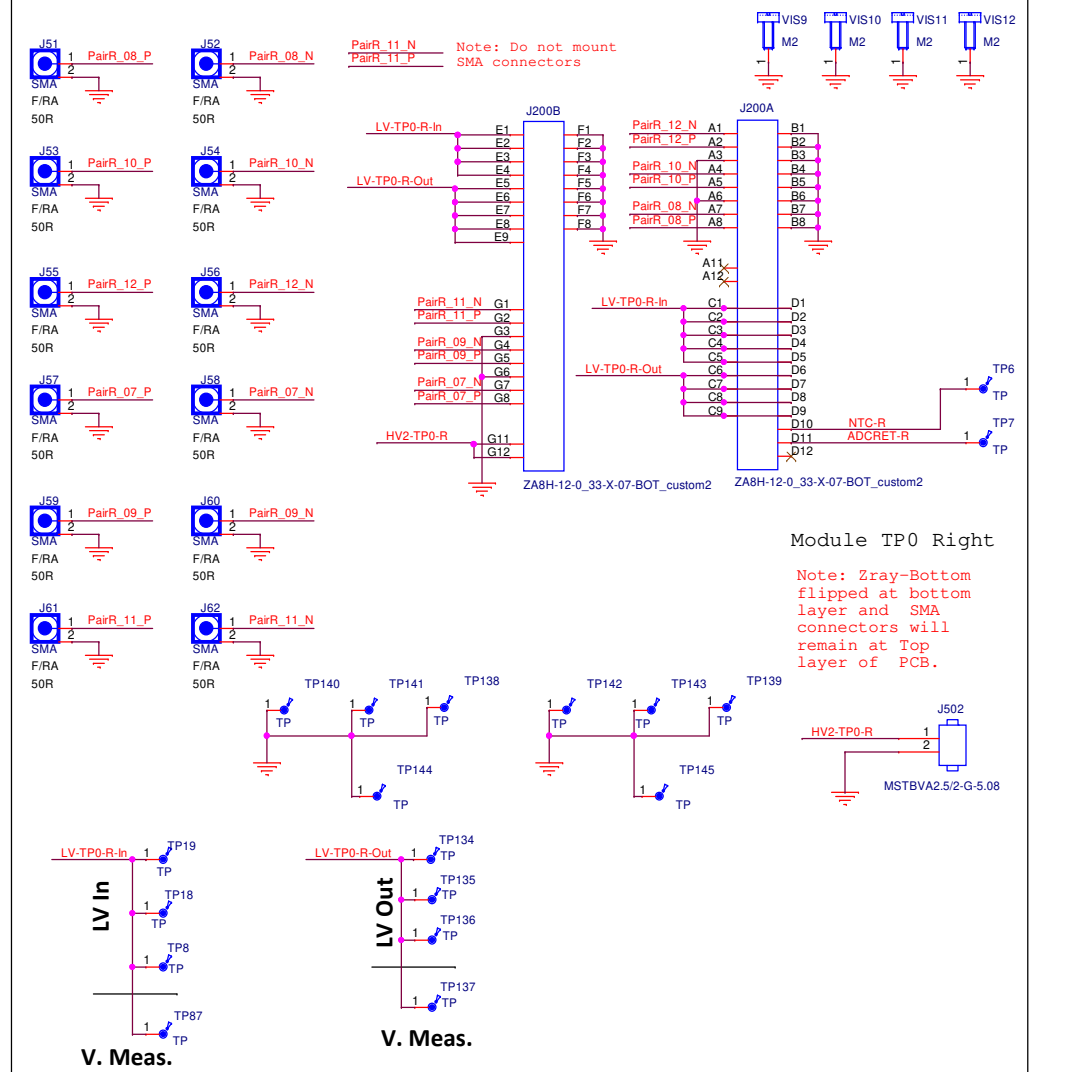
Sheet

1 of 8

Board 3: Z-ray Bottom Connection (TP0, Left Side of PP0 Firefly Connector)



Board 4: Z-ray Bottom Connection (TP0, Right Side of PP0 Firefly Connector)

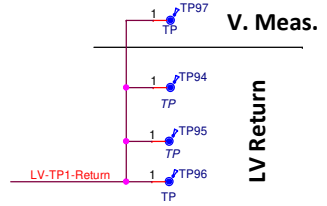
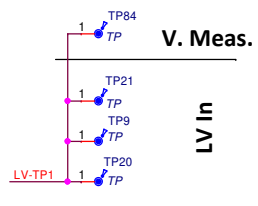
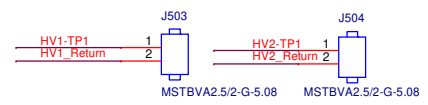
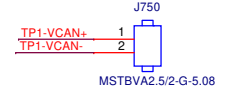
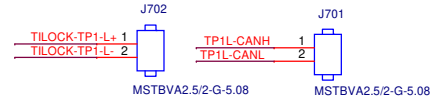
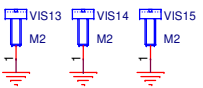
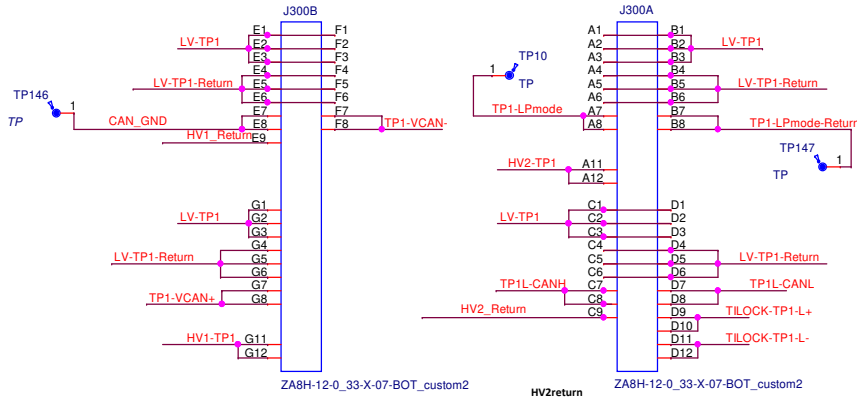


University of Geneva DPNC 24 quai Ernest-Ansermet CH1211 GENEVE 4		UNIVERSITÉ DE GENÈVE	
ATLAS ITk PPO Adapter Board SMA to Z-ray 12x7			
Size A3	DWG NO DPNC442	Rev PCB 01	Rev PCBA 01A
Wednesday, October 14, 2020		Sheet	2 of 8

Board 2: Z-ray Bottom Connection (TP1)

Note: Zray-Bottom flipped at bottom layer and SMA & connecting-pads will remain at Top layer of PCB.

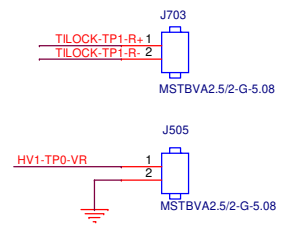
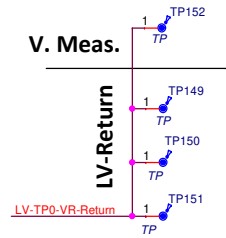
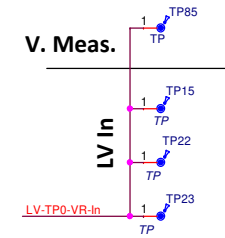
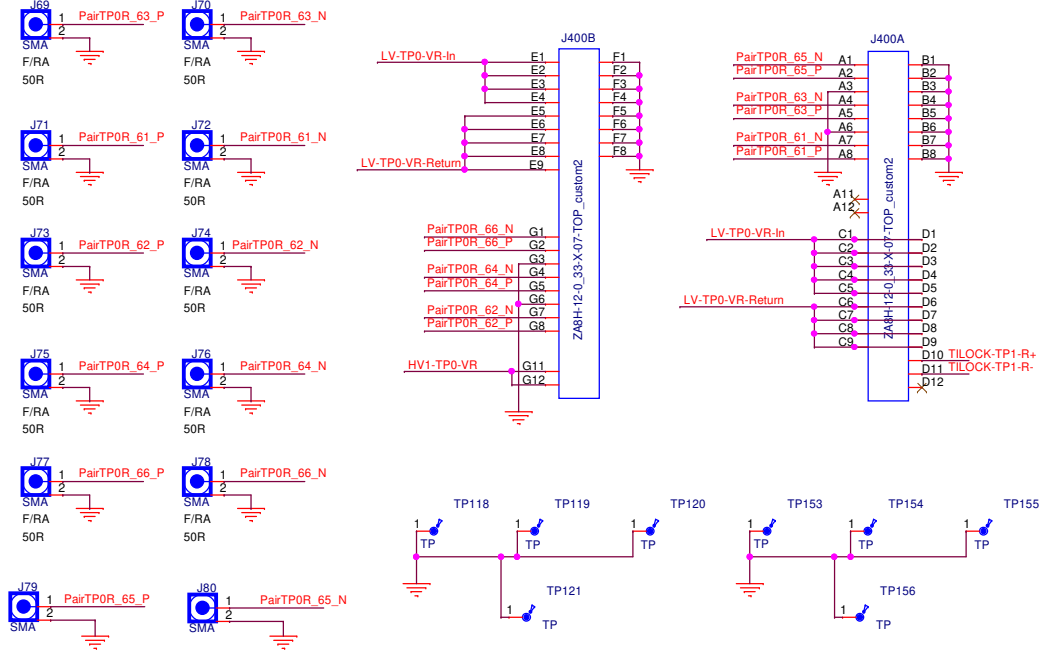
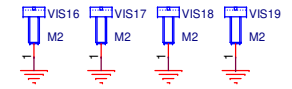
Module TP1




Board 5: Z-ray Bottom Connection (TP0, Very Right Side of PP0 Firefly Connector)

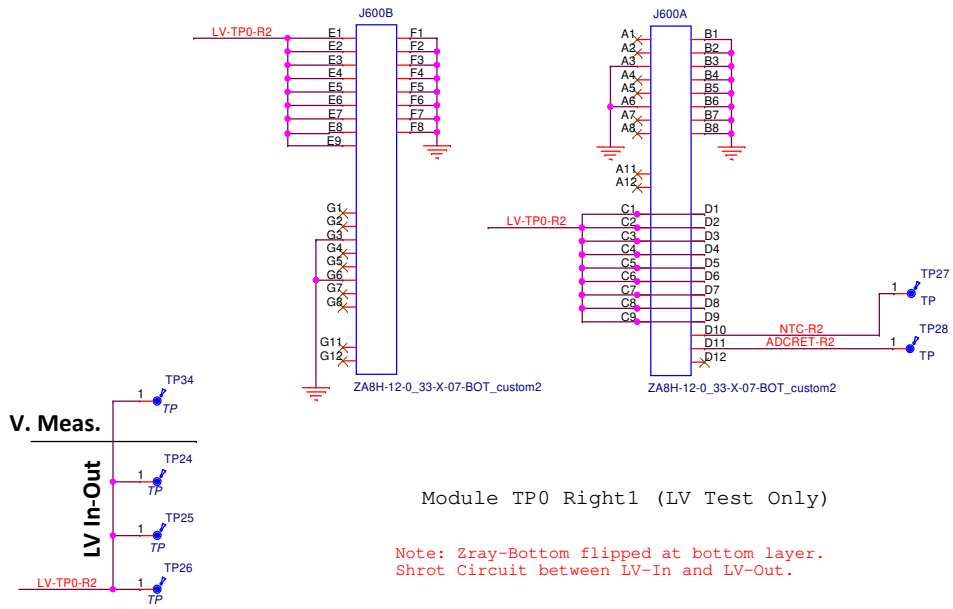
Note: Zray-TOP flipped at bottom layer and SMA & connecting-pads will remain at Top layer of PCB.

Module TP0 Very Right

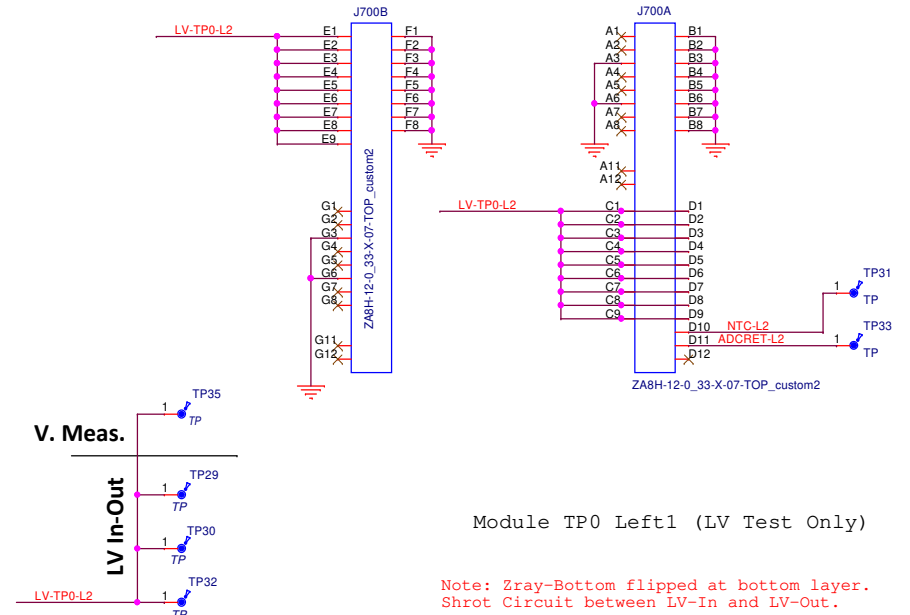


University of Geneva DPNC 24 quai Ernest-Ansermet CH1211 GENEVE 4		 UNIVERSITÉ DE GENÈVE	
ATLAS ITk PPO Adapter Board SMA to Z-ray 12x7			
Size	DWG NO	Rev PCB	Rev PCBA
A3	DPNC442	01	01A
Wednesday, October 21, 2020		Sheet	3 of 8

Board 6: Z-ray Bottom Connection (TP0, Right Side of PP0 Firefly Connector, LV Test Only)



Board 7: Z-ray Bottom Connection (TP0, Left Side of PP0 Firefly Connector, LV test only)



University of Geneva

DPNC
24 quai Ernest-Ansermet
CH1211 GENEVE 4



UNIVERSITÉ
DE GENÈVE

ATLAS Itk PP0 Adapter Board

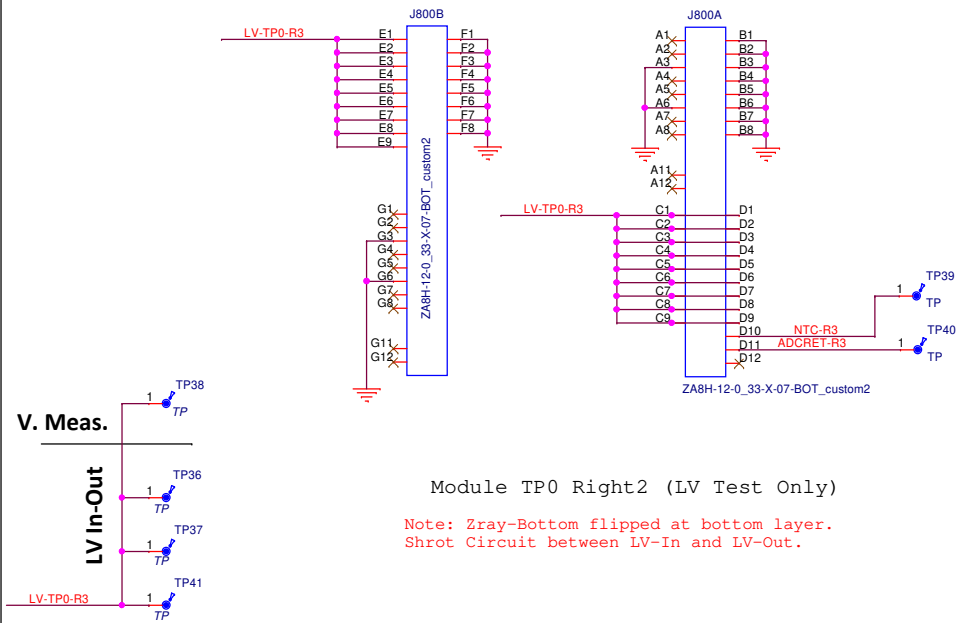
Size	DWG NO	Rev PCB	Rev PCBA
A3	DPNC442	01	01A

Wednesday, October 14, 2020

Sheet

4 of 8

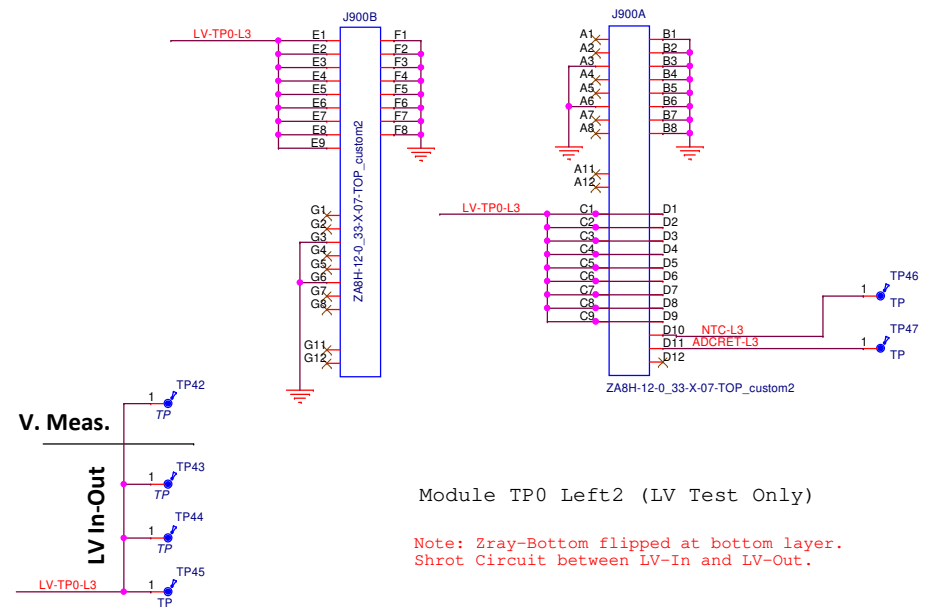
Board 8: Z-ray Bottom Connection (TP0, Right Side of PP0 Firefly Connector, LV Test Only)



Module TP0 Right2 (LV Test Only)


Note: Zray-Bottom flipped at bottom layer.
Shrot Circuit between LV-In and LV-Out.

Board 9: Z-ray Bottom Connection (TP0, Left Side of PP0 Firefly Connector, LV test only)

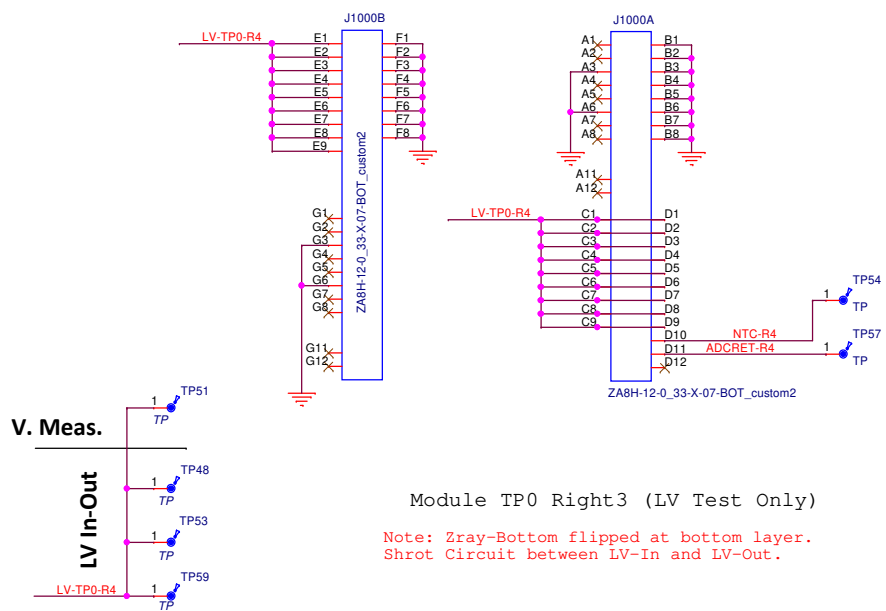


Module TP0 Left2 (LV Test Only)

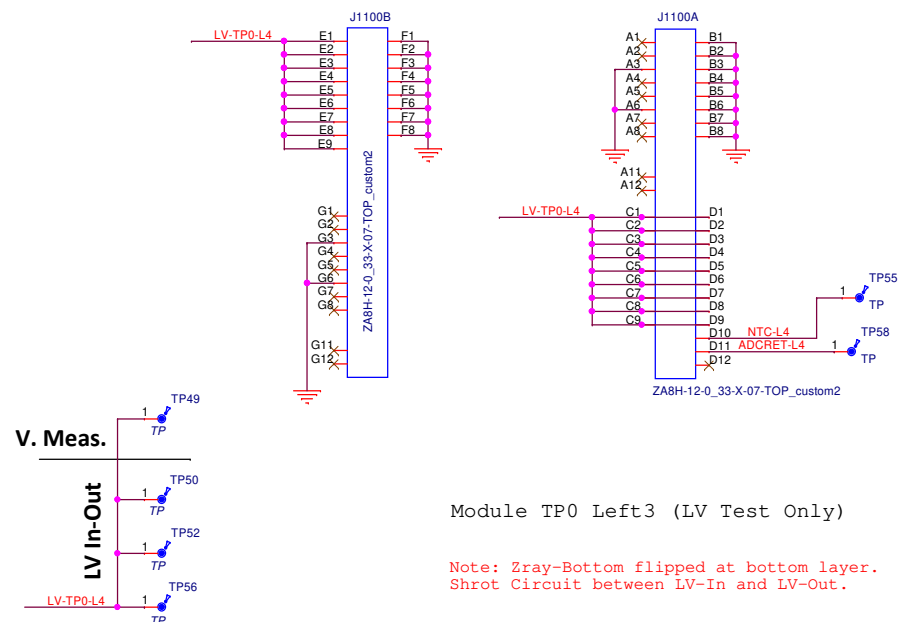
Note: Zray-Bottom flipped at bottom layer.
Shrot Circuit between LV-In and LV-Out.

University of Geneva DPNC 24 quai Ernest-Ansermet CH1211 GENEVE 4		 UNIVERSITÉ DE GENÈVE	
ATLAS Itk PP0 Adapter Board			
Size	DWG NO	Rev PCB	Rev PCBA
A3	DPNC442	01	01A
Wednesday, October 14, 2020		Sheet	5 of 8

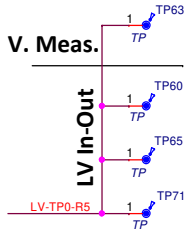
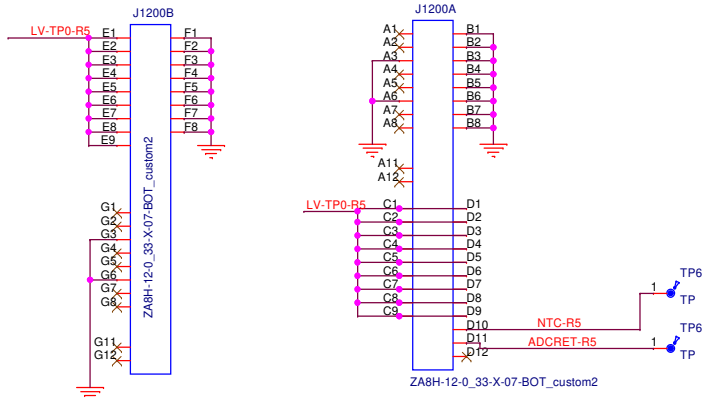
Board 10: Z-ray Bottom Connection (TP0, Right Side of PP0 Firefly Connector, LV Test Only)



Board 11: Z-ray Bottom Connection (TP0, Left Side of PP0 Firefly Connector, LV test only)



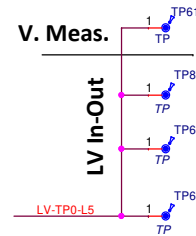
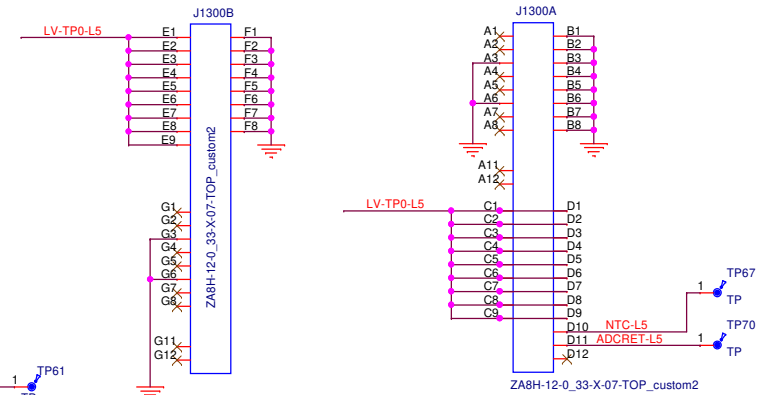
Board 12: Z-ray Bottom Connection (TP0, Right Side of PP0 Firefly Connector, LV Test Only)



Module TP0 Right4 (LV Test Only)

Note: Zray-Bottom flipped at bottom layer.
Shrot Circuit between LV-In and LV-Out.

Board 13: Z-ray Bottom Connection (TP0, Left Side of PP0 Firefly Connector, LV test only)



Module TP0 Left4 (LV Test Only)

Note: Zray-Bottom flipped at bottom layer.
Shrot Circuit between LV-In and LV-Out.

University of Geneva

DPNC
24 quai Ernest-Ansermet
CH1211 GENEVE 4



UNIVERSITÉ
DE GENÈVE

ATLAS Itk PP0 Adapter Board

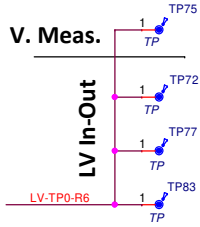
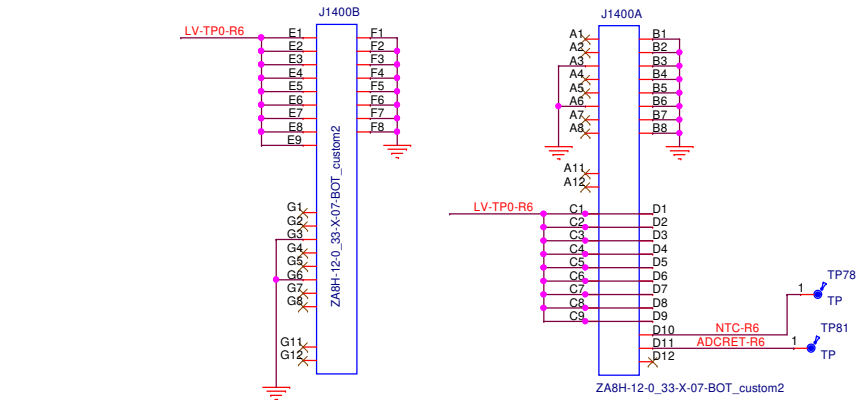
Size A3	DWG NO DPNC442	Rev PCB 01	Rev PCBA 01A
-------------------	--------------------------	----------------------	------------------------

Wednesday, October 14, 2020

Sheet

7 of 8

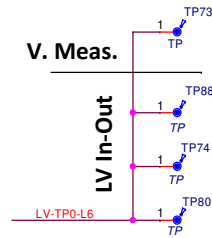
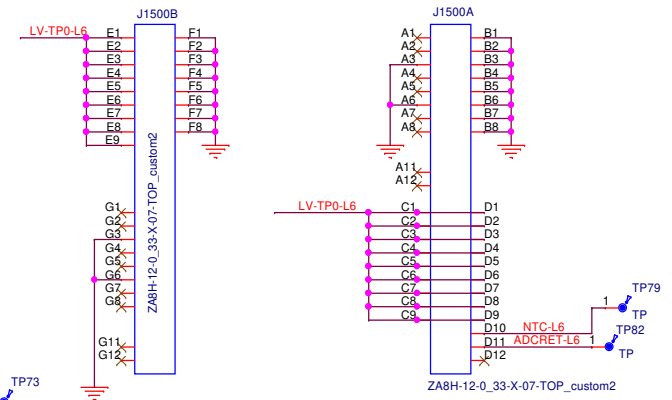
Board 14: Z-ray Bottom Connection (TP0, Right Side of PP0 Firefly Connector, LV Test Only)



Module TP0 Right5 (LV Test Only)

Note: Zray-Bottom flipped at bottom layer.
Short Circuit between LV-In and LV-Out.

Board 15: Z-ray Bottom Connection (TP0, Left Side of PP0 Firefly Connector, LV test only)



Module TP0 Left5 (LV Test Only)

Note: Zray-Bottom flipped at bottom layer.
Short Circuit between LV-In and LV-Out.

University of Geneva

DPNC
24 quai Ernest-Ansermet
CH1211 GENEVE 4



UNIVERSITÉ
DE GENÈVE

ATLAS Itk PP0 Adapter Board

Size	DWG NO	Rev PCB	Rev PCBA
A3	DPNC442	01	01A

Wednesday, October 14, 2020

Sheet

8 of 8